

## Contact Details

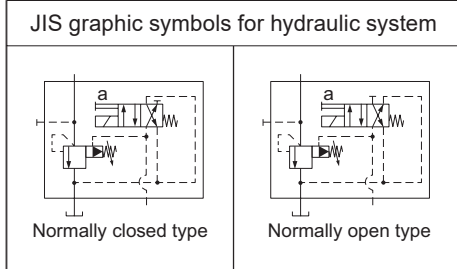
Before using the product, please check the guide pages at the front of this catalog.

Internet

<https://www.daikinpmc.com/en/>

For latest information, PDF catalogs and operation manuals

# Solenoid Operated Relief Valve



## Features

- Achieves stable pressure control over a wide range of flow rates and also works as a safety valve.
- Provides the function of an unload valve itself, eliminating the need for an unload circuit.
- High-vent type units are available as options.

## Nomenclature

※ - **JRS** - ※ **06** - ※ ※ - ※ ※ - **40**

1                      2                      3                      4                      5                      6                      7                      8                      9

### 1 Applicable fluid code

No designation: Petroleum-based hydraulic fluid  
 H: Water-glycol hydraulic fluid  
 F: Phosphate ester hydraulic fluid

### 2 Model No.

JRS: J series solenoid operated relief valve

### 3 Connections

G: Gasket mount type  
 T: Screw connection type

### 4 Nominal diameter

06: 3/4

### 5 Pressure adjustment range

1: Up to 7 MPa {Up to 70 kgf/cm<sup>2</sup>}  
 3: Up to 21 MPa {Up to 210 kgf/cm<sup>2</sup>}

### 6 Vent type code

No designation: Low-vent type  
 V: High-vent type

### 7 Circuit code

A: Normally closed type (on-load state when demagnetized)  
 B: Normally open type (unload state when demagnetized)

### 8 Voltage code for the solenoid valve

A: AC 100 V (50/60 Hz), AC 110 V (60 Hz)  
 B: AC 200 V (50/60 Hz), AC 220 V (60 Hz)  
 P: DC 24 V

### 9 Design No.

(The design No. is subject to change)

## Specifications

Model code	Nominal diameter	Pressure adjustment range*1 MPa {kgf/cm <sup>2</sup> }	Maximum flow rate L/min	Mass kg
JRS-G06-1-※※-40	3/4	Up to 7 {Up to 70}	170	8.1
JRS-G06-3-※※-40		Up to 21 {Up to 210}		
JRS-T06-1-※※-40		Up to 7 {Up to 70}		6.7
JRS-T06-3-※※-40		Up to 21 {Up to 210}		

Model code	Pressure change MPa {kgf/cm <sup>2</sup> } per handle revolution
JRS-※06-1	2.1 {21}/revolution
JRS-※06-3	5.2 {52}/revolution

Model code	Applicable solenoid model code
JRS-※06-※	KSO-G02-2A※-30 (※: Voltage code)

Note: \*1 The minimum adjustment pressure varies depending on the flow rate. See the minimum adjustment pressure characteristics of JRB-※06 on Page E-18 for details.

For information on performance curves, see the one for JRB-※06 on Page E-18.  
 For the specifications of the solenoid, see the one for KSO-G02 on Page G-16.

## Sub-plate model code

- The sub-plate is not provided with the valve. Order it separately as required by specifying the model code given in the table below.

Model code	Nominal diameter	Connection port diameter	Mass kg
JRB-06M	3/4	Rc3/4	3.5
JRB-06M08		Rc	

Refer to Page S-6 for the dimensions of the sub-plate.

## Accessories (gasket mount type)

Hexagon socket head cap bolt	Quantity	Tightening torque N·m {kgf·cm}
M16 × 85	4	250 to 300 {2500 to 3000}

## Contact Details

Before using the product, please check the guide pages at the front of this catalog.

Internet

<https://www.daikinpmc.com/en/>

For latest information, PDF catalogs and operation manuals

## Handling

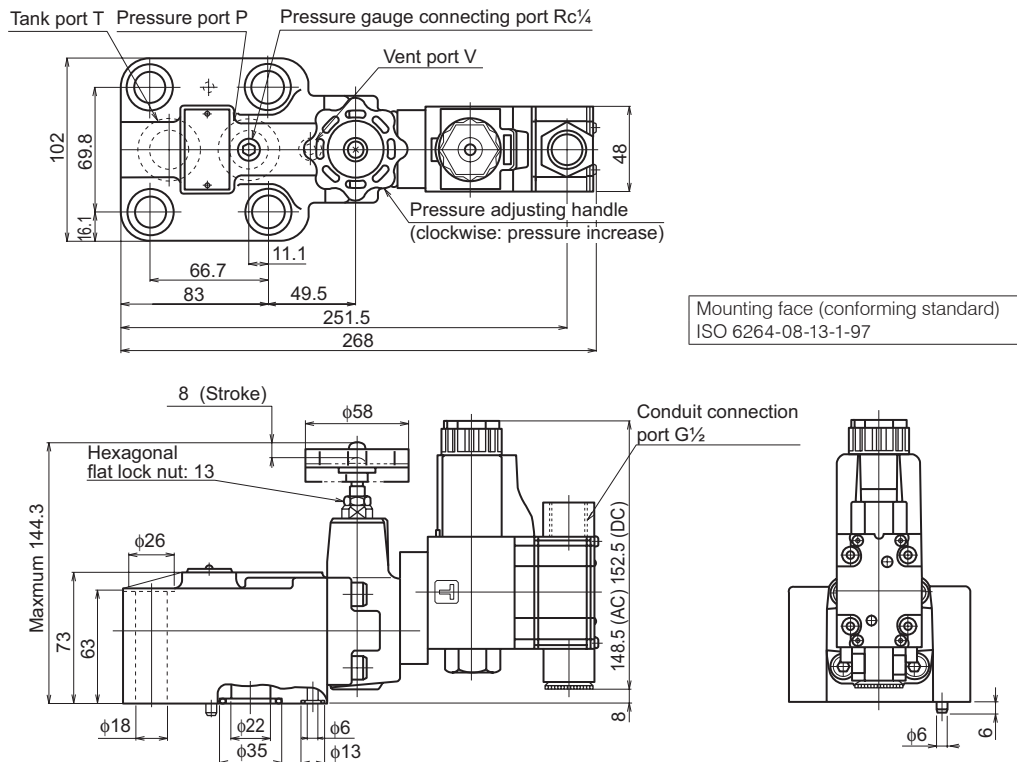
- Directly connect the tank piping of the valve to the tank without merging it with other tank piping and arrange it such that the back pressure of the tank port can be maintained at no greater than 0.5 MPa {5 kgf/cm<sup>2</sup>}.
- When using the valve in combination with a direct operated relief valve for remote control, connect the remote control valve to the vent port.

Since excessive internal volume of the vent piping may lead to vibration, use steel pipes with an inner diameter of 4 mm maximum and thick walls for piping.

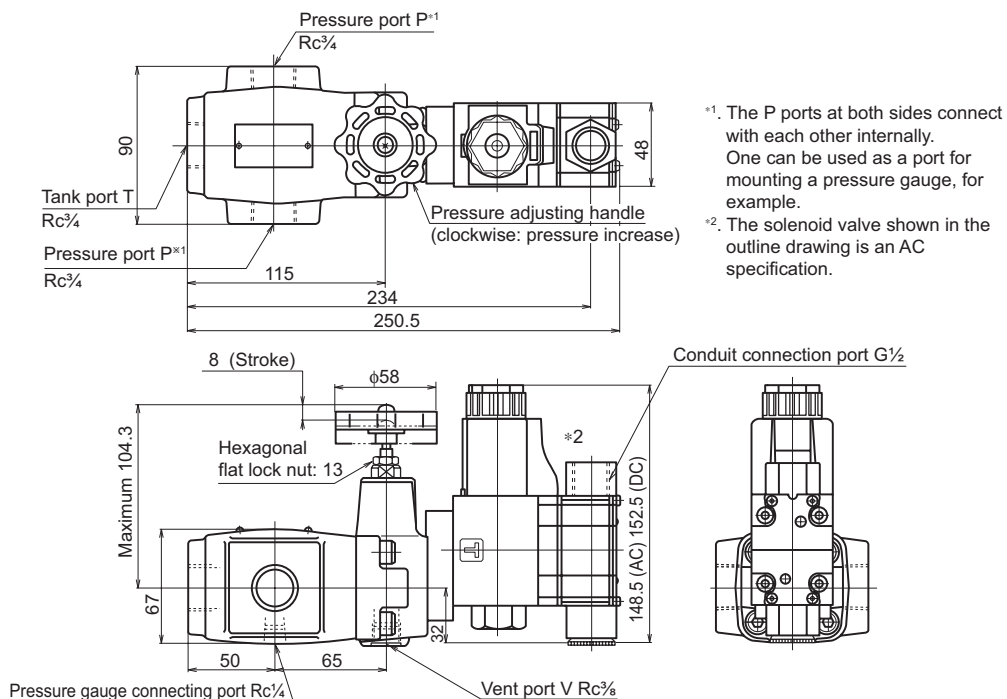
- When using the valve as a safety valve, set the pressure 1 to 1.5 MPa {10 to 15 kgf/cm<sup>2</sup>} higher than the pressure set for the hydraulic circuit.
- Use the valve with a flow rate of 7 L/min minimum since the pressure setting may be unstable if the flow rate is too low.
- The time required to switch from the unload to on-load state can be reduced by using the high-vent type.

## External dimension diagram

JRS-G06



JRS-T06



## Contact Details

Before using the product, please check the guide pages at the front of this catalog.

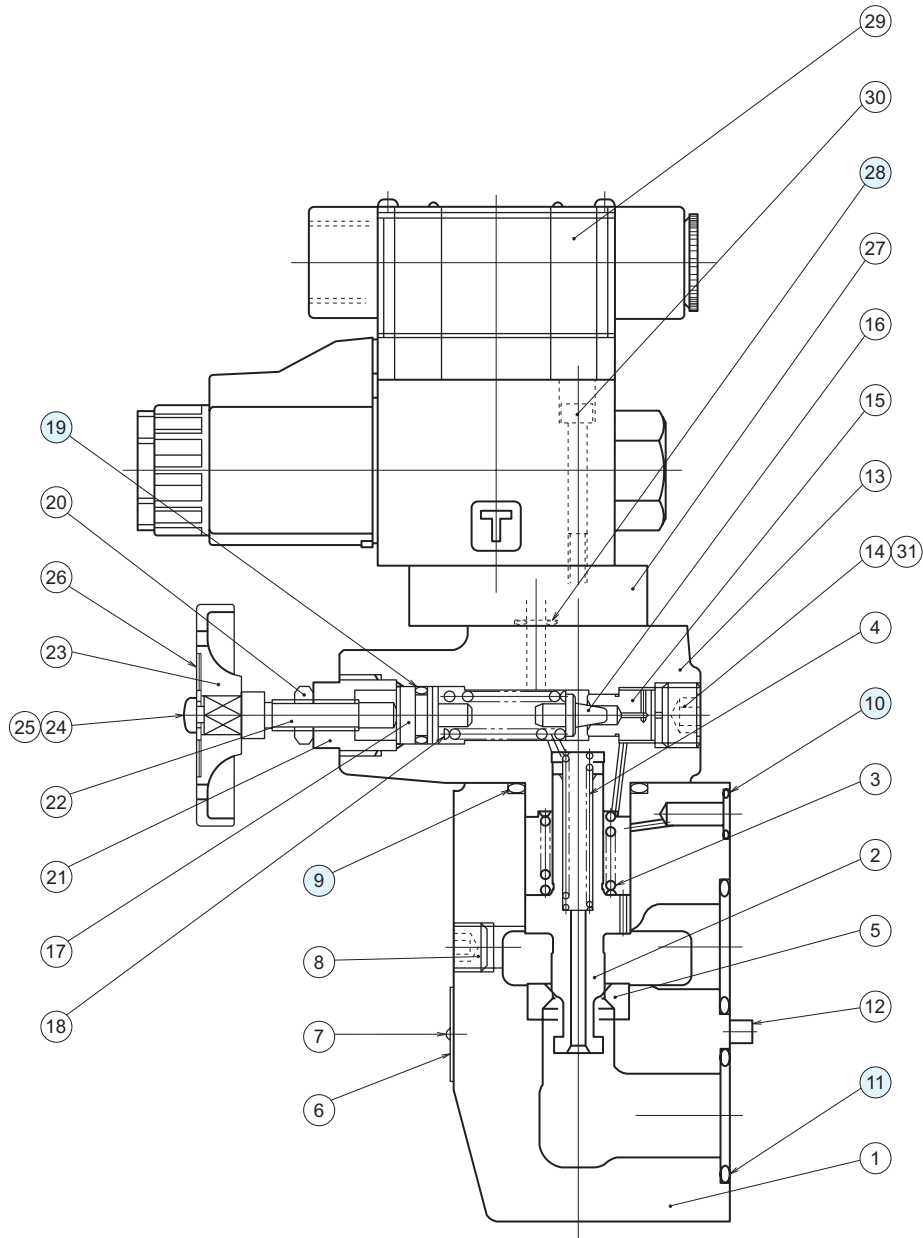
Internet

<https://www.daikinpmc.com/en/>

For latest information, PDF catalogs and operation manuals

## Sectional structural diagram

JRS-G06



Sealing part table

Part No.	Name	Quantity	Part specifications	
			JRS-G06	JRS-T06
9	O-ring	1	JIS B 2401 1BP31	JIS B 2401 1BP31
10	O-ring	1	JIS B 2401 1BP10	-
11	O-ring	2	JIS B 2401 1BG30	-
19	O-ring	1	JIS B 2401 1AP11	JIS B 2401 1AP11
28	O-ring	2	JIS B 2401 1BP8	JIS B 2401 1BP8